



HIGHLIGHTS

- Full color, D1 resolution (720 x 480)
- Up to 30 frames per second
- H.264 BP, MPEG-4 SP, and MJPEG video codecs
- 10/100 Ethernet TCP/IP compressed video stream
- RTP/RTSP over UDP/TCP
- Ultra-compact form factor
- Pixim's ultra-wide dynamic imaging range (WDR) 102 dB typical / 120 dB Max
- TI DaVinci™ DM357 SoC with ARM926 and Fixed-Function Video Coprocessor
- Real-Time Embedded Linux
- Decodes to any networked PC running a decoder such as QuickTime or VLC Player
- Browser-based Utility allows configuration of settings and parameters
- 12V DC, 4.5W max
- Optional PoE Board
- RoHS compliant
- No blind/buried vias, no via-in-pad
- Available as evaluation unit or production license with fully licensable design

OVERVIEW

Nuvation's IP Camera 'Mini' Reference Design is the most compact implementation of a D1, full color, WDR, IP Camera based on Pixim's Orca chipset and TI DaVinci™ DM357 Digital Media SoC with ARM926 and Fixed-Function Video Coprocessor. The reference design is targeted for high-quality IP Box Cameras which can be taken to production quickly. Derivative products can also be developed from the reference design.

PACKAGES

- **Evaluation Units*** are intended for OEMs interested in evaluating the reference design for production license. Users can plug-and-play the IP Camera Mini right out of the box, and experiment with different sensor and codec settings. Advanced users may experiment with reprogramming the DM357 with their own custom software builds.
- **Production Licenses*** are intended for full manufacturing and IP control including rights to make derivative products.

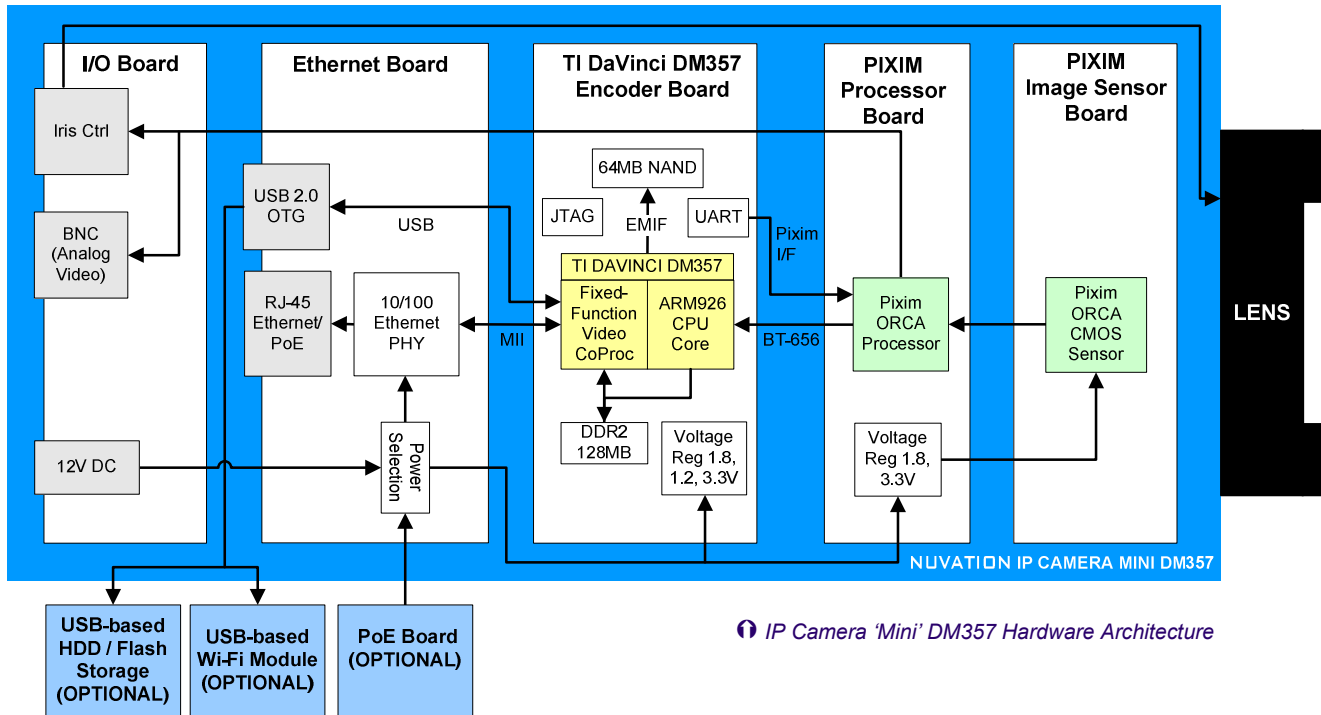
*Package details are listed on page 3.

SOFTWARE & DRIVERS

- Runs Montavista Linux 2.6 with TI DaVinci™ board support package by Nuvation
- Encoder firmware application that encodes and streams video in real-time
- *thttpd* lightweight web server runs a browser utility for easy camera configuration
- Driver support for USB, video-input and UART RS-232 communication

EXTERNAL INTERFACES

- Ethernet (RJ-45)
- Analog Video (NTSC / PAL)
- USB 2.0 OTG (DM357 driver default is master for connecting Wi-Fi or Storage)
- Auto-Iris
- Joystick for Pixim settings menu navigation
- Two dip switches (can be SW-enabled)



IP Camera 'Mini' DM357 Hardware Architecture

SYSTEM ARCHITECTURE

At the front of the IP camera, behind the lens, sits a Pixim ORCA CMOS sensor and processor, which captures and processes images and sends out BT.656 digital video to a TI DaVinci™ DM357 processor. The DaVinci™ processor encodes the stream and transmits the compressed video over Ethernet.

Within the DaVinci™, the incoming BT.656 video stream is processed by the Fixed-Function Video Coprocessor. The Coprocessor encodes it with the chosen video codec and passes the data back to the ARM. The ARM then packetizes the data using the RTP/RTSP over UDP/TCP protocol and sends the stream to the Ethernet PHY chip for transmission over the network.

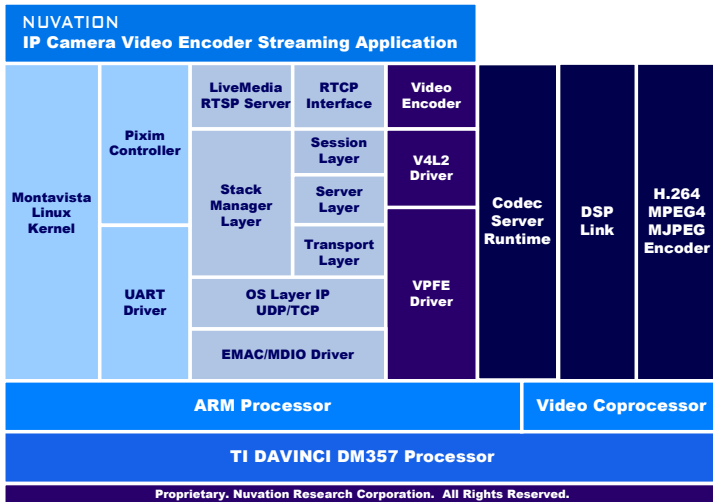
A web server running on the ARM within the DaVinci™ allows users on the network to configure IP Camera settings through a browser utility. Setting changes are sent over the UART interface to the PIXIM processor board using a proprietary protocol.

PIXIM CMOS IMAGING CHIPSET

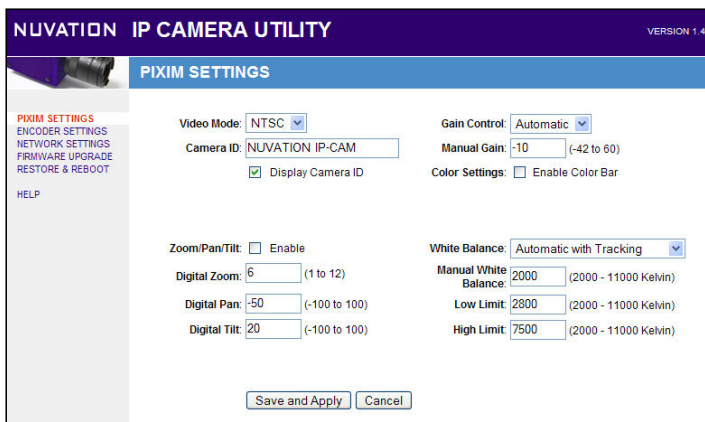
- Pixim ORCA D1600 or D2500 imaging chipset
- High resolution color for crisp, clear capture
- Progressive image capture - 540 HTVL equivalent
- Wide dynamic range 102 dB typical / 120 dB Max
- Full resolution D1 (NTSC / PAL)
- Full frame-rate up to 30 fps
- Optimum exposure mode presets
- Fully automatic operation (ATW, AGC, BLC, etc.)
- Advanced noise reduction technology improves image quality and reduces bit rate
- Pixim Processor Software features controls such as gamma, white balance, sharpness, even motion detection and digital PTZ.

SYSTEM COMPONENTS

- Pixim Image Sensor Board
 - Pixim D1100 ORCA CMOS sensor
 - WDR NTSC
- Pixim Processor Board
 - Pixim D2500 ORCA processor
 - BT-656 output to encoder board
- TI DaVinci™ DM357 Encoder Board
 - TI DaVinci™ DM357 with Fixed-Function Video Coprocessor and ARM926E
 - 2 banks of DDR2, 128MB, 32bit x 167MHz
 - 64MB NAND Flash
 - UART Port
 - JTAG Port
 - 10/100 Ethernet MAC routed to Ethernet PHY board
 - USB 2.0 routed to OTG connector on IO board
 - No blind or buried vias, no via-in-pad
- Ethernet Board
 - Small, horizontal board which holds PHY chip
 - RJ-45 Ethernet
 - USB 2.0 OTG (SW configured as USB master)
 - Includes connector for optional PoE board (PoE board must be ordered separately)
- I/O Board
 - BNC for NTSC/PAL pass-through
 - 12V in
 - Auto-Iris
 - Joystick for accessing full Pixim menu tree
 - Dip switches



IP Camera Software Architecture



Browser Utility Screen Shot

TI DAVINCI™ DM357 SOFTWARE

- Pre-programmed codecs:
 - H.264 BP encode
 - MPEG-4 SP
 - MJPEG encode
- IP CAM 'Mini' is pre-programmed with embedded Linux 2.6 with real-time extensions, running on a ARM926 co-processor within the DaVinci™
- MPEG-4 SP is pre-programmed in the DM357 and can be brought out to the browser UI controls with design customization
- Audio codecs, alarm IO, PTZ, and other features can be added with design customizations

VIDEO COPROCESSOR SOFTWARE

- The Fixed-Function Coprocessor runs the pre-programmed algorithms required to encode the raw video into the various video codec formats
- The ARM is responsible for managing the digital video interface, the Pixim sensor and the web server

BROWSER UTILITY

Included browser-based utility enables users to change encoder settings such as H.264/MJPEG, frame rate, bit rate, white balance, gain control, camera ID, update camera software, and change IP and MAC addresses. Served from the ARM within the DaVinci™, the following groups of parameters can be configured:

- PIXIM Settings
- Encoder Settings
- Network Settings
- Firmware Upgrade
- Restore & Reboot

EVALUATION UNIT PACKAGE

The evaluation unit package includes:

- IP Camera with H.264 encode and MJPEG control
- Camera lens
- Ethernet cable and DC power adapter
- Nuvation-optimized Linux Board Support Package
- IP Camera Utility (Browser-based GUI)
- Quick Start Guide (QSG)
- Technical Reference Manual (TRM)

DIMENSIONS

- L: 3.25" (79mm), H: 1.7" (43mm), W: 1.8" (47mm) *

*Dimensions include enclosure with BNC connector, *excludes lens and mounting plate.

PRODUCTION LICENSE PACKAGE

Licensees receive entire design source code package:

- Design schematics
- Bills of materials
- Layout databases
- Linux source code
- Hardware and software specification documents
- Enclosure CAD mechanicals
- Manufacturing instructions

CONTACT

EMAIL IP@NUVATION.COM
 WEB WWW.NUVATION.COM
 TEL +1.408.228.5580
 FAX +1.408.228.5590